

REMEDI

REMEX-KA6

MEDICAL IMAGE SOLUTION

MEDICAL PORTABLE X-RAY



REMEX-KA6 HANDHELD X-RAY CAMERA

with EXCLUSIVELY
DESIGNED ACCESSORIES

**Superior Image quality
with Low Radiation Exposure**



REMEX Main features

Product Advantages

01 Expanded Clinical Coverage

- All parts of human body including adult chest, pelvis, abdomen, hands, feet and head
- Set up time under 1 minute

02 Minimized Radiation Exposure/Reduced Time

- Low dose product design and mechanism minimized radiation exposure for operators and patients
- Image acquisition under 3 seconds

03 Patented Adjustable Active Area Collimator

- Patented Collimator reduces leakage and scatter radiation

04 Superior Quality X-ray Image

- 70 kV : Improved image penetration > Improved bone identification
- 6 mA : Reduces required irradiation time > Reduces motion blurring
- 0.4 mm Focal Spot > High resolution

05 LED and Laser Guided Beam Function

- Helps users to pinpoint accurate exposure area



Low Dose



High Resolution



Light Weight



Wireless Smart Control



REMEX Main features

Main Features

70kV

Improved image penetration

- ▶ Improved bone identification

6mA

Reduced required irradiation time

- ▶ Reduced motion blurring

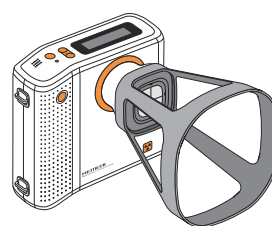
0.4mm

Focal Spot

- ▶ High resolution

Tablet Application

- Wireless Connectivity with tablet and mobile phone
- Wireless X-ray exposure button adjustable time, kV, mA



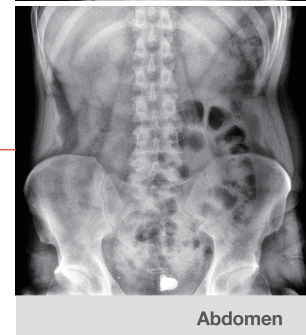
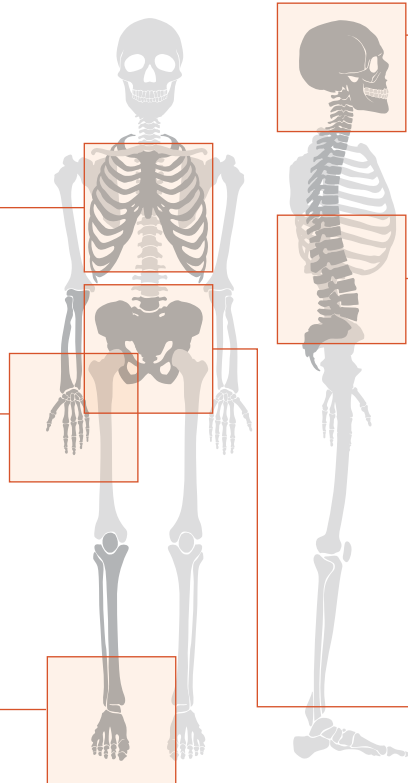
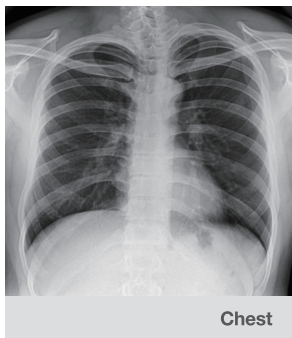
Wireless Smart Control



REMEX Main features

Intended Use

· REMEX Image Gallery



REMEX Field of Use

Application field



Emergency room



Orthopedics

Outpatient Clinic



Medical Checkup

General Examination Room



Respiratory Medicine

Neonatal Intensive Care Unit



Nursing Home



Operating Room



NICU

Neonatal Intensive Care Unit



ICU

Intensive Care Unit



NPIR

Negative Pressure Isolation Room

REMEX Place of Use | Target of Use

Anytime, Anywhere, Fast X-ray Image Solution

- **Portability** : It can be used anywhere.
- **Quick Access** : It is designed specifically for use when it is not safe or practical to move a patient from his or her bed or when X-ray image for quick diagnosis is needed urgently.

REMEX Usage Environment

Movable Stand

Radiography Systems



All Places | Emergency room



Anytime, Anywhere



Bed | Mobile

Radiography Systems



Hospital Room · ICU · NPIR · Orthopedics



Shooting in bed

Emergency Room
Hospital Room



Station

Radiography Systems



General Examination · Respiratory · Triage



Chest/Head/Spine Image Solution

Pediatric
Plastic Surgery
Family Medicine



Shielded Kiosk

Radiography Systems



Selective Care Center · Respiratory

COVID-19



Shooting in Shielded Kiosk

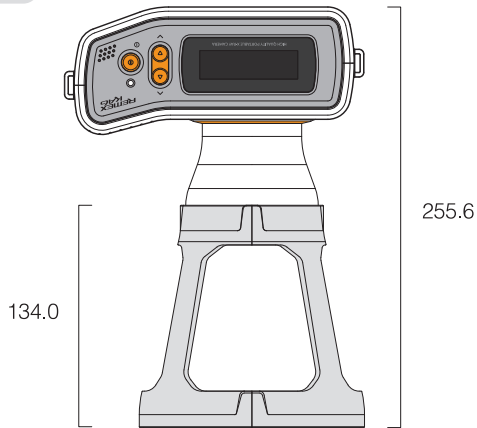
Public Health center



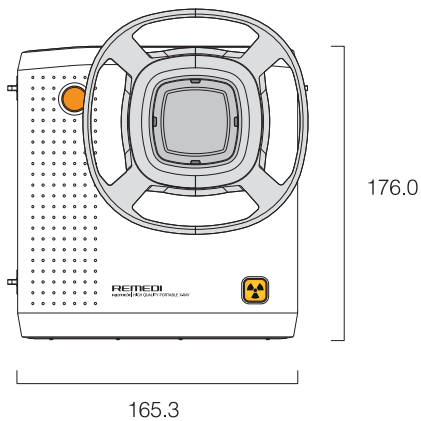
REMEX Specification
Specification

Dimension

Top View



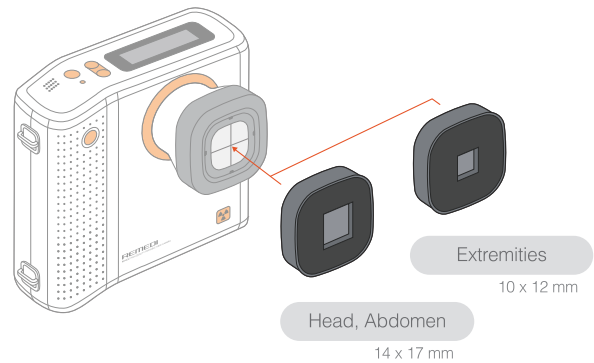
Front View



Specification of Device

Contents	Values
Tube kV/mA	40 ~ 70kV / 2~6mA
Exposure time	0.06 ~ 2.0sec
Focal Spot	0.4mm
Output Power	420W
Size	165.3 x 176.0 x 255.6mm
Weight	2.4kg
Battery	DC 22.2V / 1,800mAh

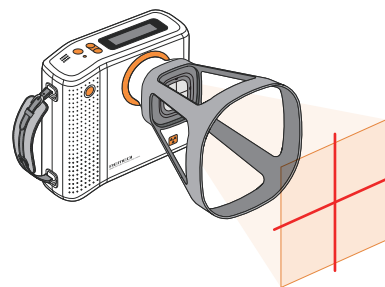
REMEX-KA6
Collimator OPTION



REMEX Extra Features
Application

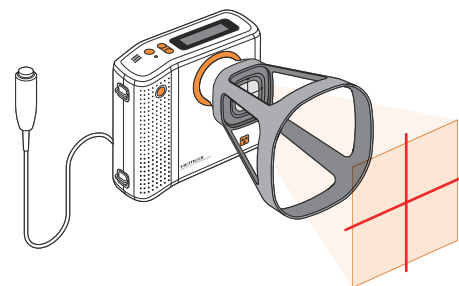
• Direct Shoot

Hand Strap
 Using hand strap for direct shoot



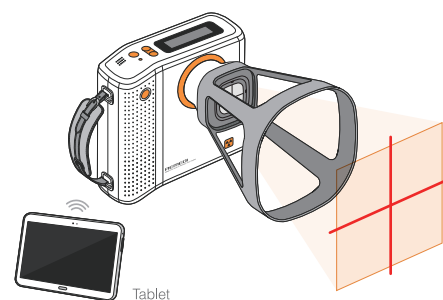
• Remote Switch

Hand Switch
 Using exposure hand switch



• Wireless Connection

OPTION



REMEX Place of Use / Target of Use

Medical Package



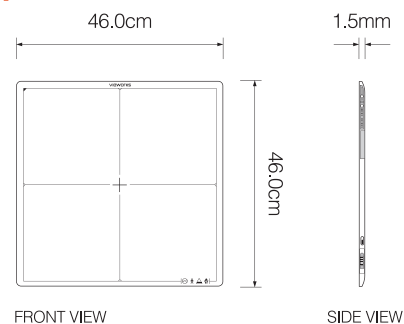
REMEX Medical Package

Portable X-Ray Digital Camera REMEX KA6 + VIVIX-S 4343VW Detector

Features

- Active area of 43.0cm x 43.0cm
- High spatial resolution with 140 μ m pixel array
- IP67 dust and water resistance
- Convenient charging with various methods - standard USB-C interface, magnetic tether connector, cradle
- Long lasting battery up to 16 hours of operation
- Viewer software running on Windows™ OS (VXvue™)
- Various applications such as General Radiography, Orthopedic, Veterinary, Chiropractic X-ray systems

Dimension



Technical Specifications

	A	B
Model Name	4343VAW	4343VAW PLUS
Technology	a-Si TFT	
Scintillator	CsI	
Pixel Pitch	140 μ m	
Spatial Resolution	3.5 lp/mm	
Pixel Matrix	3072 x 3072 pixels	
Image Size	43.0 cm x 43.0 cm	
Grayscale	16 bits	
Image Acquisition Time	3 s	
Recommended Cycle Time	4 s	
Data Interface	Gigabit Ethernet IEEE 802.11 n/ac	
X-ray Generator Interface	DR Trigger Mode / AED Mode	
Dimensions	46.0 x 46.0 x 1.5 (cm)	
Weight	3.45 kg	3.7 kg
	3.65 kg	3.9 kg
Battery	Lithium Ion 3400mAh x 2 16 h (standby) * 3,000 images at a 15-second cycle.	
Dust and Water Resistant	IP67	
X-ray Voltage Range	40 - 150 kVp	
Operating Environment	0°C to 40°C / 5% to 90v% RH (non-condensing)	
Power	Normal : Max. 24W / Charging : Max. 80W	

* Specifications are subject to change without prior notice.

REMEDI

REVOLUTION MEDICAL DEVICES

 **REMEDI Co.,Ltd.**

Manufacturing : 2F, 69-14, Sakju-ro, 145beon-gil, Chuncheon-si, Gangwon-do, Korea
Head Office : A-403, Woolim Lion's Valley, 149, Yangpyeong-ro, Yeongdeungpo-gu, Seoul, Korea
Tel : +82-2-6930-5891 Fax : +82-2-6930-5892 E-Mail : sales@remedihc.com

www.remедиhc.com